

## CONTACT US



WeChat



WeChat Channel



Facebook



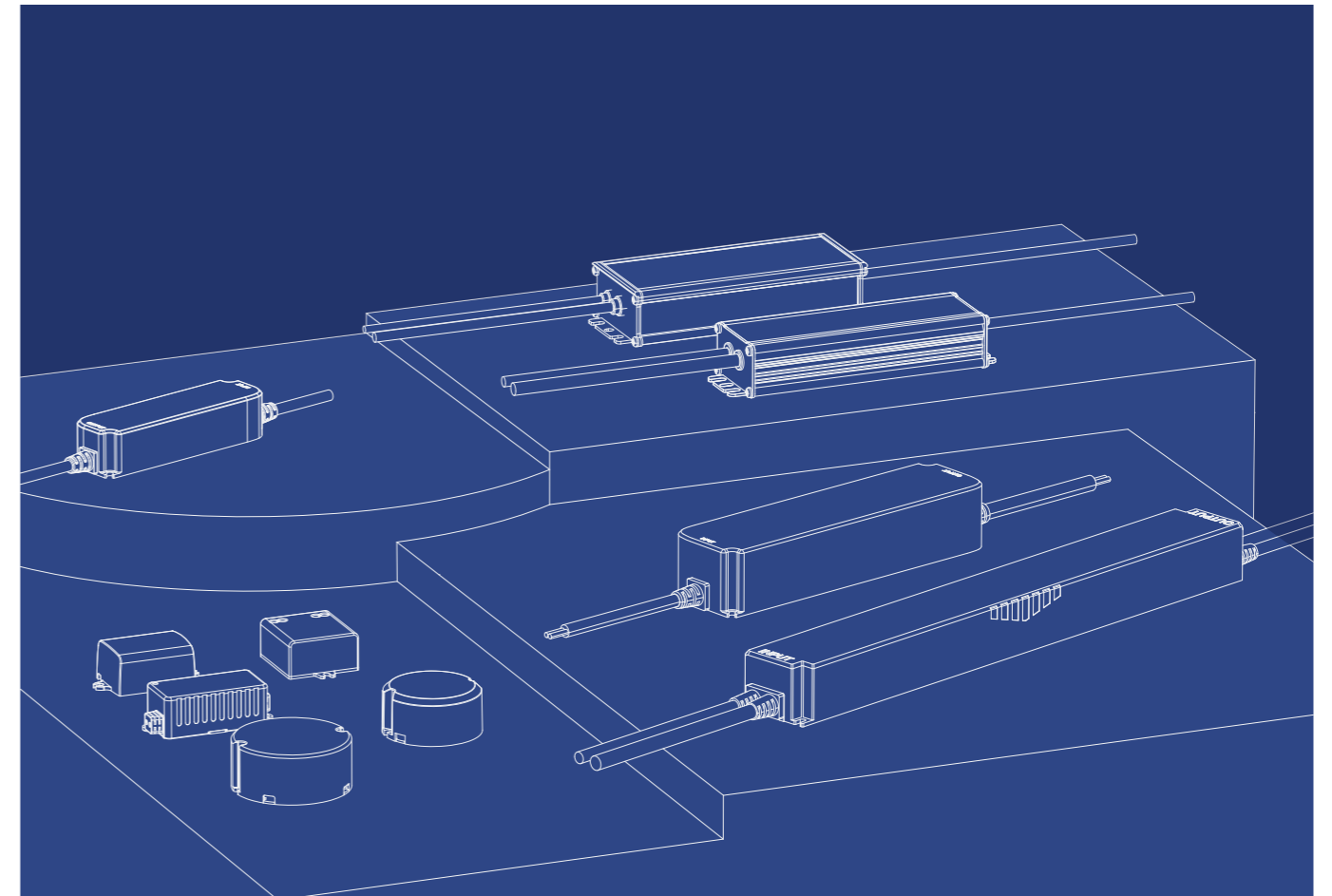
LinkedIn

**Address:**  
No.4, Huanzhen East Road, Beijiao Town, Shunde District, Foshan, Guangdong, China

**Email:**  
Sales@eaglerise.com

**Web:**  
Lighting.eaglerise.com

V04272026



# OUTDOOR LED DRIVER CATALOGUE

2026



**1999**  
Established in Foshan

**2017**  
Listed in Shenzhen

**136K m<sup>2</sup>**  
Company Area 136K m<sup>2</sup>

**27Year**  
Years of experience

**300+**  
Patents & applications

**136,000m<sup>2</sup>**  
Company area

**1600+**  
Skilled employees

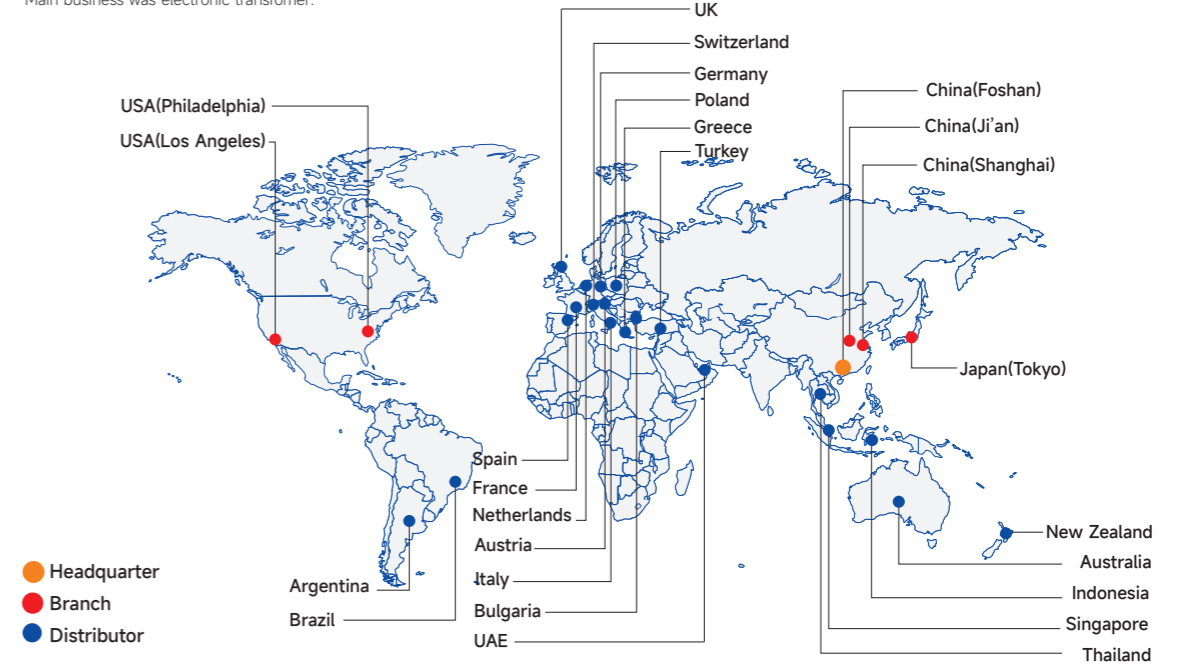
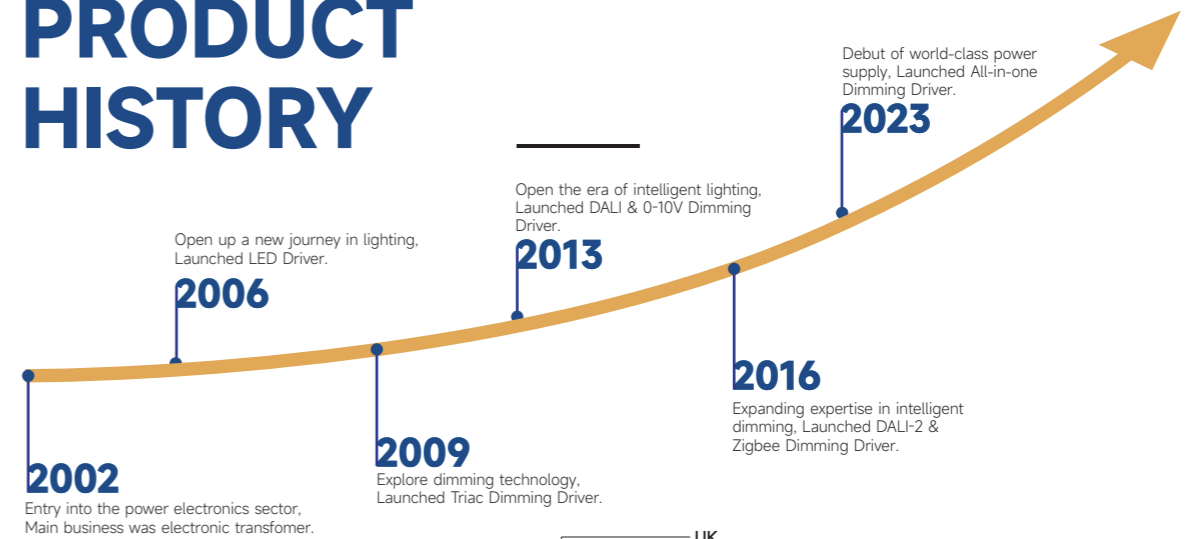
**100+**  
Served countries & regions

**100million(pcs)**  
Annual capacity

# ABOUT EAGLERISE

Eaglerise Electric & Electronic (China) Co., Ltd was founded in 1999 and headquartered in Foshan. Eaglerise was officially listed in 2017 with the stock code 002922. Our Lighting Business Unit was established in 2001, focusing on the research and development, manufacturing, sales, and service of LED driver. There are two manufacturing bases in Shunde, Foshan and Ji'an, Jiangxi, 136,000 sqm in total. With strong R&D and digital manufacturing plants, our products cover lighting scenarios such as home lighting, commercial lighting, hotel lighting, and outdoor lighting. We aim to provide global customers with more efficient, intelligent, and eco-friendly LED driver and lighting solutions.

# PRODUCT HISTORY



# SUCCESSFUL CASES



# NAMING RULES

RMX-65-1200 IP67 0-10 L1 EXC

## Mode

- V Constant Voltage
- C Constant Current (Fixed current)
- N Adjust current by DIP switch
- P Adjust current by programming
- R Adjust current by resistor

## Shape

- M Metal, rectangle
- K Metal, square
- T Plastic

## Input voltage

- S 220-240 VAC
- H 100-240 VAC
- E 100-120 VAC
- X 100-277 VAC

## Output power

- 6 6 W
- 30 30 W
- 350 350 W

## Output current / voltage

- 12 12 V
- 24 24 V
- 120 120 mA
- 1050 1050 mA

## Version

- EXC Basic version, 0.9 PF
- ADV Advanced version
- PRO Professional version

## Generation

- 1 First generation
- 2 Second generation

## Power factor & Flicker

- L 0.9PF & Flicker-free
- R 0.9PF & Flicker

## Dimming method

- DALI-2 DALI-2 dimming
- 0-10 0-10 dimming
- PWM PWM dimming

## Type of protection

- IP20 Default empty
- IP44 IP44
- IP67 IP67

# Constant Current Series

## PMX 0-10V Series

### CH Series

### SS Series

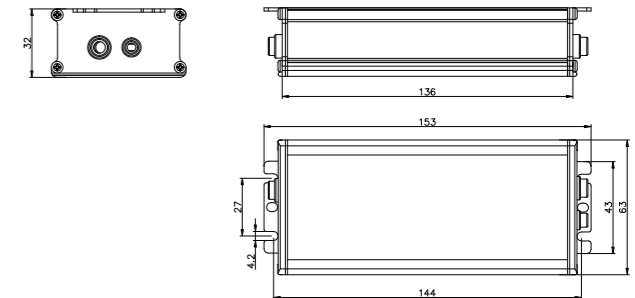
### SH Series



C.C

## PMX 0-10V Series

- For luminaire of protection class I and class II
- Isolated / SELV / Independent
- Input Voltage 100-277VAC
- Adjustable current by programmable offline
- 3 in 1 dimming: 1/0-10V, PWM and Time-based dimming
- Constant lumen output (CLO)
- Surge: 6kV/ 10kV
- Protectio: OLP / SCP / OTP / UVP
- IP67
- High Reliability, Long Lifespan, 5-Year Warranty



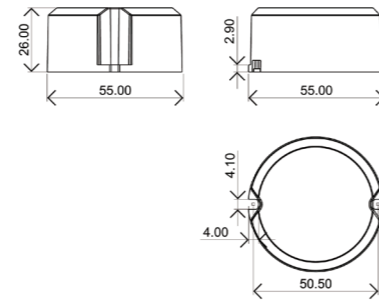
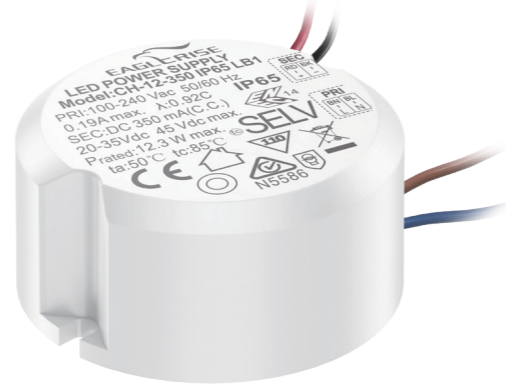
Application: Street light | Tunnel light

Model	Power	Input Voltage	Output Current	Output Voltage	Efficiency	Power Factor	Size (L*W*H)
PMX-30-1050 IP67 0-10 L	30W	100-277VAC	105-1050mA	28-56V	87%	0.95	110*63*32mm
PMX-50-1500 IP67 0-10 L	50W	100-277VAC	150-1500mA	28-56V	88%	0.95	110*63*32mm
PMX-75-2100 IP67 0-10 L	75W	100-277VAC	210-2100mA	28-56V	89%	0.95	121*63*32mm
PMX-100-2800 IP67 0-10 L	100W	100-277VAC	280-2800mA	28-56V	91%	0.95	140*63*32mm
PMX-150-4200 IP67 0-10 L	150W	100-277VAC	420-4200mA	28-56V	91%	0.96	172*63*32mm
PMX-200-5600 IP67 0-10 L	200W	100-277VAC	560-5600mA	28-56V	92%	0.95	193*63*37mm
PMX-240-6700 IP67 0-10 L	240W	100-277VAC	670-6700mA	28-56V	93%	0.95	209*63*37mm

C.C

## CH Series

- For luminaire of protection class II
- Isolated / SELV / Built-in
- Input Voltage: 100-240VAC
- Protections: SCP / OLP / OVP
- Efficiency  $\geq 86\%$
- 5years warranty
- IP65



CE CB SELV

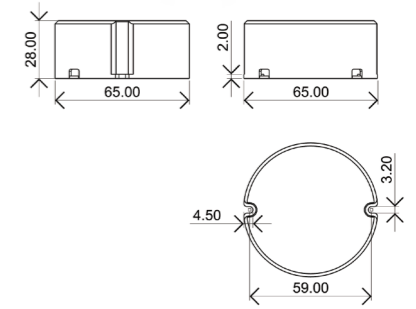
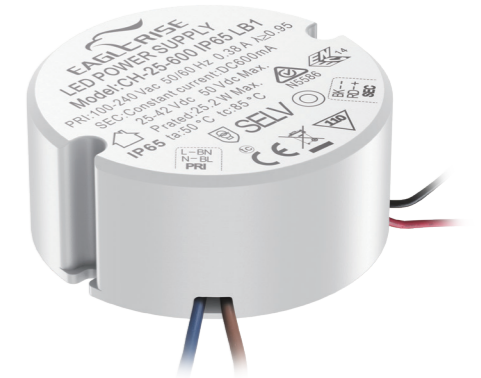
Application: Outdoor-Wall light | Lawn light

Model	Power	Input Voltage	Output Current	Output Voltage	Efficiency	Power Factor	Size (L*W*H)
CH-12-250 IP65 LB1	12W	100-240VAC	250mA	29-48V	81%	0.92	Φ55*26mm
CH-12-300 IP65 LB1	12W	100-240VAC	300mA	24-40V	81%	0.92	Φ55*26mm
CH-12-350 IP65 LB1	12W	100-240VAC	350mA	20-35V	81%	0.92	Φ55*26mm
CH-12-400 IP65 LB1	12W	100-240VAC	400mA	18-30V	81%	0.92	Φ55*26mm
CH-12-450 IP65 LB1	12W	100-240VAC	450mA	16-27V	81%	0.92	Φ55*26mm
CH-12-500 IP65 LB1	12W	100-240VAC	500mA	14-24V	81%	0.92	Φ55*26mm
CH-12-550 IP65 LB1	12W	100-240VAC	550mA	13-22V	81%	0.92	Φ55*26mm
CH-12-600 IP65 LB1	12W	100-240VAC	600mA	12-20V	81%	0.92	Φ55*26mm
CH-12-650 IP65 LB1	12W	100-240VAC	650mA	11-18.5V	81%	0.92	Φ55*26mm
CH-12-700 IP65 LB1	12W	100-240VAC	700mA	10.5-17.5V	81%	0.92	Φ55*26mm
CH-18-300 IP65 LB	18W	100-240VAC	300mA	36-60V	86%	0.94	Φ55*26mm
CH-18-350 IP65 LB	18W	100-240VAC	350mA	31-52V	86%	0.94	Φ55*26mm
CH-18-400 IP65 LB	18W	100-240VAC	400mA	27-45V	86%	0.94	Φ55*26mm
CH-18-450 IP65 LB	18W	100-240VAC	450mA	24-40V	86%	0.94	Φ55*26mm
CH-18-500 IP65 LB	18W	100-240VAC	500mA	21.5-36V	86%	0.94	Φ55*26mm
CH-18-550 IP65 LB	18W	100-240VAC	550mA	19.5-33V	86%	0.94	Φ55*26mm
CH-18-600 IP65 LB	18W	100-240VAC	600mA	18-30V	86%	0.94	Φ55*26mm
CH-18-650 IP65 LB	18W	100-240VAC	650mA	16.5-28	86%	0.94	Φ55*26mm
CH-18-700 IP65 LB	18W	100-240VAC	700mA	15.5-26V	86%	0.94	Φ55*26mm

C.C

## CH Series

- For luminaire of protection class II
- Isolated / SELV / Built-in
- Input Voltage: 100-240VAC
- Protections: SCP / OLP / OVP
- Power Factor  $> 0.95$
- Efficiency  $\geq 86\%$
- 5years warranty
- IP65



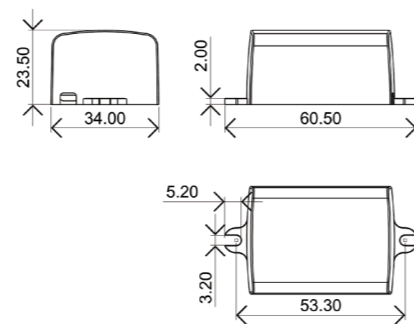
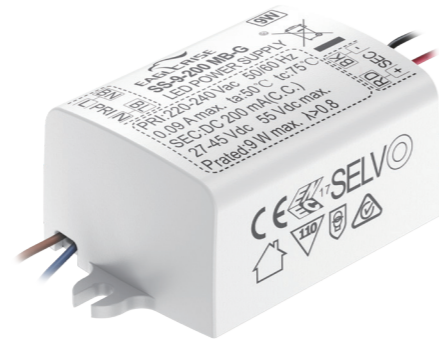
CE CB SELV

Application: Outdoor-Wall light | Lawn light

Model	Power	Input Voltage	Output Current	Output Voltage	Efficiency	Power Factor	Size (L*W*H)
CH-25-300 IP65 LB1	25W	100-240VAC	300mA	50-84V	86%	0.95	Φ65*28mm
CH-25-350 IP65 LB1	25W	100-240VAC	350mA	43-72V	86%	0.95	Φ65*28mm
CH-25-400 IP65 LB1	25W	100-240VAC	400mA	37.5-63V	86%	0.95	Φ65*28mm
CH-25-450 IP65 LB1	25W	100-240VAC	450mA	33.5-56V	86%	0.95	Φ65*28mm
CH-25-500 IP65 LB1	25W	100-240VAC	500mA	30-50V	86%	0.95	Φ65*28mm
CH-25-550 IP65 LB1	25W	100-240VAC	550mA	27-45.5V	86%	0.95	Φ65*28mm
CH-25-600 IP65 LB1	25W	100-240VAC	600mA	25-42V	86%	0.95	Φ65*28mm
CH-25-650 IP65 LB1	25W	100-240VAC	650mA	23-38.5V	86%	0.95	Φ65*28mm
CH-25-700 IP65 LB1	25W	100-240VAC	700mA	21.5-36V	86%	0.95	Φ65*28mm
CH-25-750 IP65 LB1	25W	100-240VAC	750mA	20-33.5V	86%	0.95	Φ65*28mm
CH-25-800 IP65 LB1	25W	100-240VAC	800mA	19-31.5V	86%	0.95	Φ65*28mm

## SS Series

- For luminaire of protection class I and class II
- Isolated / SELV / built-in
- Input Voltage 220-240VAC
- Protections: SCP / OLP / OVP
- Power Factor > 0.8
- Efficiency ≥ 81%
- 5 years warranty

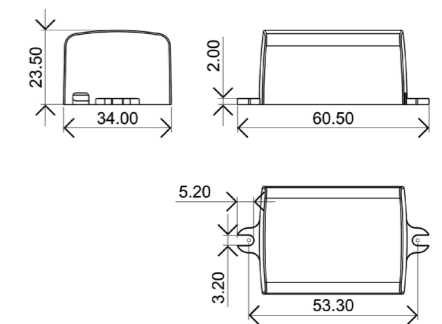
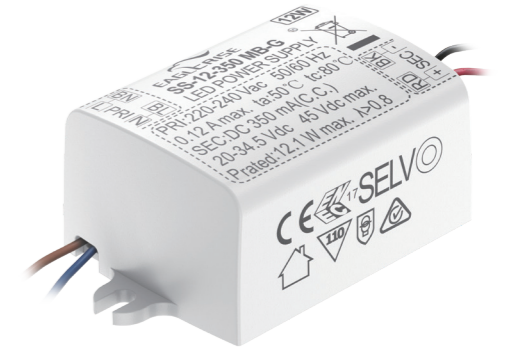


Application: LED spot light | LED down light | Wall light

Model	Power	Input Voltage	Output Current	Output Voltage	Efficiency	Power Factor	Size (L*W*H)
SS-9-200 MB-G	9W	220-240VAC	200mA	27-45V	81%	0.8	60*34*23.5mm
SS-9-250 MB-G	9W	220-240VAC	250mA	21-36V	81%	0.8	60*34*23.5mm
SS-9-300 MB-G	9W	220-240VAC	300mA	18-30V	81%	0.8	60*34*23.5mm
SS-9-350 MB-G	9W	220-240VAC	350mA	15-26V	81%	0.8	60*34*23.5mm
SS-9-400 MB-G	9W	220-240VAC	400mA	13-22.5V	81%	0.8	60*34*23.5mm
SS-9-450 MB-G	9W	220-240VAC	450mA	11-20V	81%	0.8	60*34*23.5mm
SS-9-500 MB-G	9W	220-240VAC	500mA	8.5-18V	81%	0.8	60*34*23.5mm
SS-9-550 MB-G	9W	220-240VAC	550mA	9-16.5V	81%	0.8	60*34*23.5mm
SS-9-600 MB-G	9W	220-240VAC	600mA	9-15V	81%	0.8	60*34*23.5mm
SS-9-650 MB-G	9W	220-240VAC	650mA	8-14V	81%	0.8	60*34*23.5mm
SS-9-700 MB-G	9W	220-240VAC	700mA	7-13V	81%	0.8	60*34*23.5mm

## SS Series

- For luminaire of protection class I and class II
- Isolated / SELV / built-in
- Input Voltage: 220-240VAC
- Protections: SCP / OLP / OVP
- Power Factor > 0.8
- Efficiency ≥ 81%
- 5 years warranty



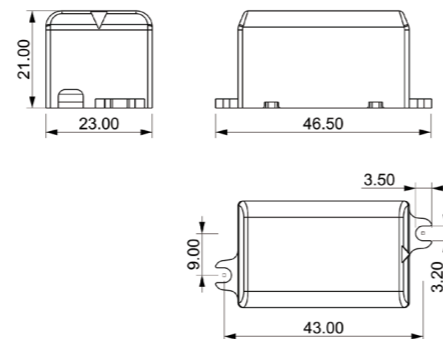
Application: LED spot light | LED down light | Wall light

Model	Power	Input Voltage	Output Current	Output Voltage	Efficiency	Power Factor	Size (L*W*H)
SS-12-250 MB-G	12W	220-240VAC	250mA	28.5-48V	81%	0.8	60*34*23.5mm
SS-12-300 MB-G	12W	220-240VAC	300mA	24-40V	81%	0.8	60*34*23.5mm
SS-12-350 MB-G	12W	220-240VAC	350mA	20-34.5V	81%	0.8	60*34*23.5mm
SS-12-400 MB-G	12W	220-240VAC	400mA	18-30V	81%	0.8	60*34*23.5mm
SS-12-450 MB-G	12W	220-240VAC	450mA	16-27V	81%	0.8	60*34*23.5mm
SS-12-500 MB-G	12W	220-240VAC	500mA	14.5-24V	81%	0.8	60*34*23.5mm
SS-12-550 MB-G	12W	220-240VAC	550mA	13-22V	81%	0.8	60*34*23.5mm
SS-12-600 MB-G	12W	220-240VAC	600mA	12-20V	81%	0.8	60*34*23.5mm
SS-12-650 MB-G	12W	220-240VAC	650mA	11-18.5V	81%	0.8	60*34*23.5mm
SS-12-700 MB-G	12W	220-240VAC	700mA	10-18V	81%	0.8	60*34*23.5mm

C.C

## SH Series

- For luminaire of protection class II
- Isolated / SELV / built-in
- Input Voltage: 100-240VAC
- Protections: SCP / OLP / OVP
- Power Factor>0.5
- Efficiency≥68%
- 5 years warranty
- IP65



 **CE CB SELV**

Application: LED spot light | Wall light

Model	Power	Input Voltage	Output Current	Output Voltage	Efficiency	Power Factor	Size (L*W*H)
SH-3-300 IP65 SB	3W	100-240VAC	300mA	2.5-12V	68%	0.5	47*23*21mm
SH-3-350 IP65 SB	3W	100-240VAC	350mA	2.5-10V	68%	0.5	47*23*21mm
SH-3-500 IP65 SB	3W	100-240VAC	500mA	2.5-7V	68%	0.5	47*23*21mm
SH-3-700 IP65 SB	3W	100-240VAC	700mA	2.4-4.5V	68%	0.5	47*23*21mm

## Constant Voltage Series

VTS DALI + 0-10V Series

MS DALI-2 Series

VTS Series

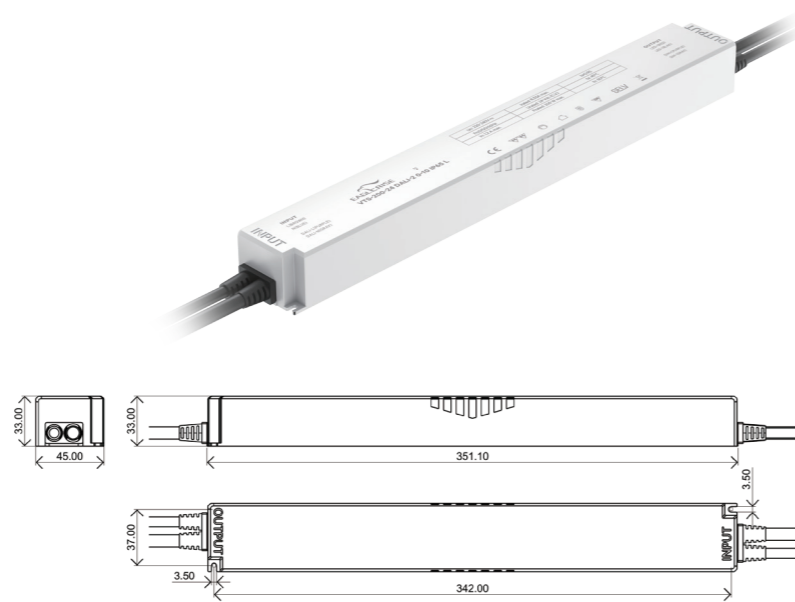
VMS Series

SH Series

C.V

## VTS DALI+0-10V Dimming Series

- For luminaire of protection class I and class II
- Isolated / SELV / Independent
- Input Voltage: 220-240VAC
- Built-in active PFC function
- 3 in 1 dimming (DALI, PUSH and 0-10V)
- DALI-2 Parts 251, 252 and 253
- Protections: SCP / OLP / OVP
- 5 years warranty
- IP65



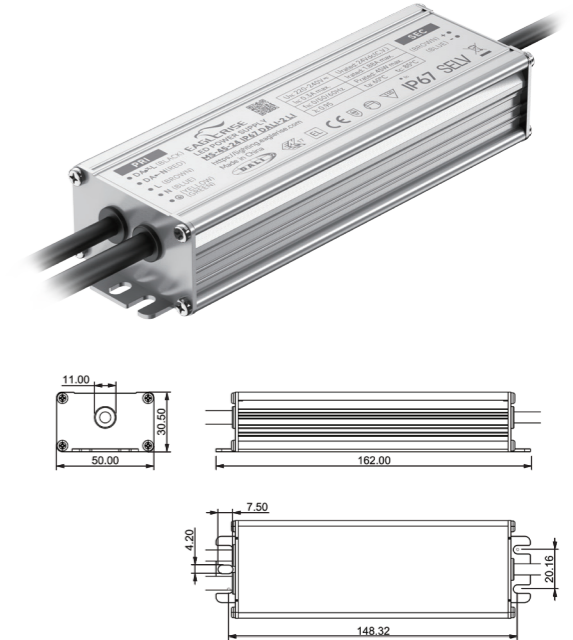
Application: Landscape lighting | Architectural lighting | Advertising lighting | Outdoor LED strip lighting

Model	Power	Input Voltage	Output Current	Output Voltage	Efficiency	Power Factor	Size (L*W*H)
VTS-200-24 DALI-2 0-10 IP65 L	200W	220-240VAC	0-8.33A	24V	91%	0.95	351*45*33mm

C.V

## MS-DALI Dimming Series

- For luminaire of protection class I and class II
- Isolated / SELV / Independent
- Input Voltage 220-240 VAC
- Protection: SCP/ OLP/ OVP/ OTP
- DALI dimming, Push Dimming
- DALI-2 Parts 251, 252 and 253
- Lifetime: 50000 hours; 5 years warranty
- Efficiency >91%; Power Factor > 0.95
- Surge Protection: 4kV/ 6kV
- IP67

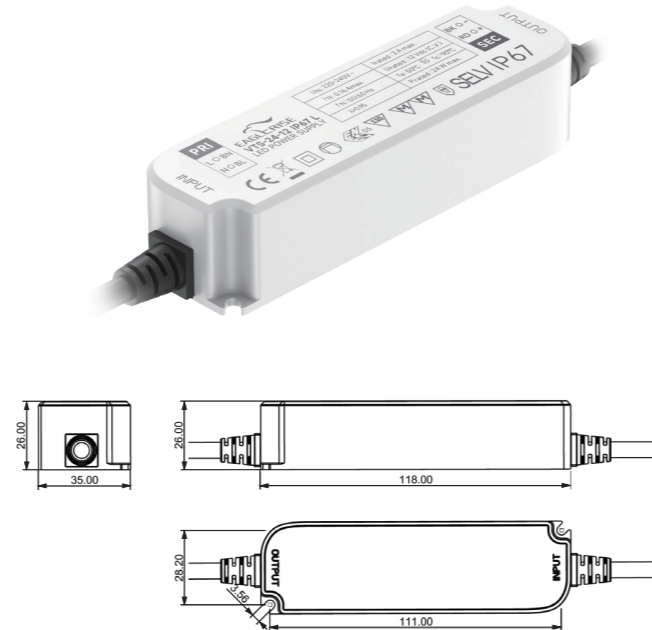


Application: Landscape lighting | Architectural lighting | Advertising lighting | Outdoor LED strip lighting

Model	Power	Input Voltage	Output Current	Output Voltage	Efficiency	Power Factor	Size (L*W*H)
MS-45-24 IP67 DALI-2 LI	45W	220-240V	0-1.88A	24V	87%	0.95	162*50*30.5mm
MS-80-24 IP67 DALI-2 LI	80W	220-240V	0-3.33A	24V	88%	0.95	207*50*30.5mm
MS-150-24 IP67 DALI-2 LI	150W	220-240V	0-6.25A	24V	91%	0.95	262*50*30.5mm

## VTS Series

- For luminaire of protection class I and class II
- Isolated / SELV / Independent
- Input Voltage 220-240 VAC
- Protection: SCP / OLP / OVP / OTP
- Efficiency > 92%
- Power Factor > 0.95
- Lifetime: 50000 hours; 5 years warranty
- Ta, Tc: 45°C / 80°C
- Surge Protection: 2kV
- IP67

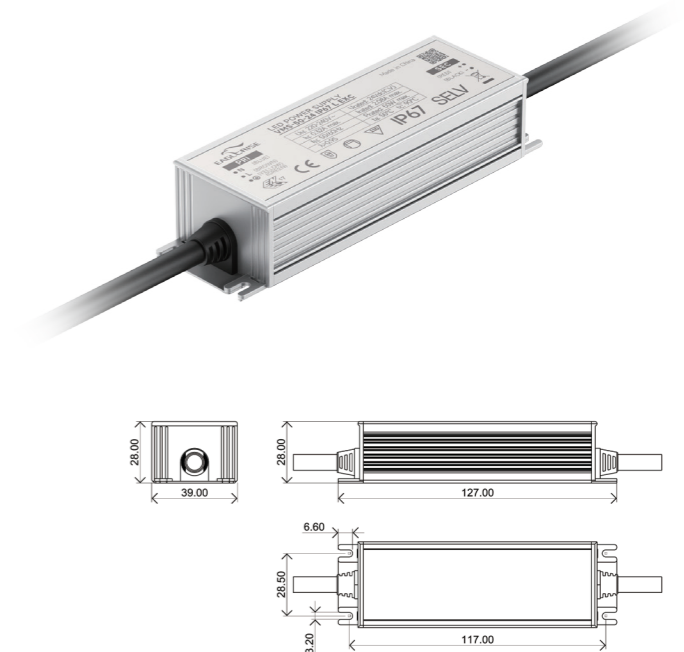


Application: Landscape lighting | Architectural lighting | Advertising lighting | Outdoor LED strip lighting

Model	Power	Input Voltage	Output Current	Output Voltage	Efficiency	Power Factor	Size (L*W*H)
VTS-24-12 IP67 L	24W	220-240VAC	0-2A	12V	86%	0.95	118*35*26mm
VTS-24-24 IP67 L	24W	220-240VAC	0-1A	24V	86%	0.95	118*35*26mm
VTS-40-12 IP67 L	40W	220-240VAC	0-3.34A	12V	86%	0.95	148*42*30mm
VTS-40-24 IP67 L	40W	220-240VAC	0-1.67A	24V	88%	0.95	148*42*30mm
VTS-60-12 IP67 L	60W	220-240VAC	0-5A	12V	86.5%	0.95	162.5*42.5*32mm
VTS-60-24 IP67 L	60W	220-240VAC	0-2.4A	24V	89%	0.95	162.5*42.5*32mm
VTS-100-12 IP67 L	100W	220-240VAC	0-8.33A	12V	87%	0.95	190*52*33mm
VTS-100-24 IP67 L	100W	220-240VAC	0-4.17A	24V	89%	0.95	190*52*33mm
VTS-160-12 IP67 L	160W	220-240VAC	0-13.33A	12V	91%	0.95	190*52*37.5mm
VTS-160-24 IP67 L	160W	220-240VAC	0-6.67A	24V	92%	0.95	190*52*37.5mm
VTS-160-48 IP67 L	160W	220-240VAC	0-3.33A	48V	92%	0.95	190*52*37.5mm

## VMS-EXC Series

- For luminaire of protection class I and class II
- Isolated / SELV / Independent
- Input Voltage 220-240 VAC
- Protection: SCP / OLP / OVP / OTP
- Compact design with high power density
- No-load power < 0.5W
- efficiency >= 93%
- Power Factor > 0.95
- Lifetime: 50000 hours; 5 years warranty
- Surge Protection: 4kV / 6kV
- IP67



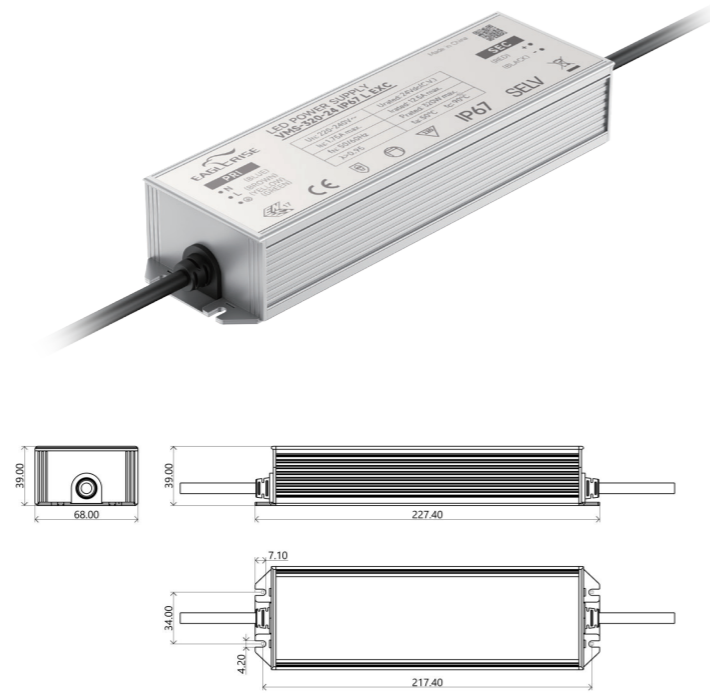
Application: Landscape lighting | Architectural lighting | Advertising lighting | Outdoor LED strip lighting

Model	Power	Input Voltage	Output Current	Output Voltage	Efficiency	Power Factor	Size (L*W*H)
VMS-50-12 IP67 L EXC	50W	220-240V	0-4.17A	12V	87%	0.95	127*39*28mm
VMS-50-24 IP67 L EXC	50W	220-240V	0-2.08A	24V	87%	0.95	127*39*28mm
VMS-50-36 IP67 L EXC	50W	220-240V	0-1.39A	36V	87%	0.95	127*39*28mm
VMS-50-48 IP67 L EXC	50W	220-240V	0-1.04A	48V	87%	0.95	127*39*28mm
VMS-75-12 IP67 L EXC	75W	220-240V	0-6.25A	12V	88%	0.95	143.4*47*32mm
VMS-75-24 IP67 L EXC	75W	220-240V	0-3.125A	24V	88%	0.95	143.4*47*32mm
VMS-75-36 IP67 L EXC	75W	220-240V	0-2.08A	36V	88%	0.95	143.4*47*32mm
VMS-75-48 IP67 L EXC	75W	220-240V	0-1.56A	48V	88%	0.95	143.4*47*32mm
VMS-100-12 IP67 L EXC	100W	220-240V	0-8.33A	12V	90%	0.95	164.4*53*32mm
VMS-100-24 IP67 L EXC	100W	220-240V	0-4.17A	24V	90%	0.95	164.4*53*32mm
VMS-100-36 IP67 L EXC	100W	220-240V	0-2.78A	36V	92%	0.95	164.4*53*32mm
VMS-100-48 IP67 L EXC	100W	220-240V	0-2.08A	48V	90%	0.95	164.4*53*32mm
VMS-150-12 IP67 L EXC	150W	220-240V	0-12.5A	12V	91%	0.95	176.4*55*36 mm
VMS-150-24 IP67 L EXC	150W	220-240V	0-6.25A	24V	92%	0.95	176.4*55*36 mm

C.V

## VMS-EXC Series

- For luminaire of protection class I and class II
- Isolated / SELV / Independent
- Input Voltage 220-240 VAC
- Protection: SCP/ OLP/ OVP/ OTP
- Compact design with high power density
- No-load power<0.5W
- efficiency≥93%
- Power Factor > 0.95
- Lifetime: 50000 hours; 5 years warranty
- Surge Protection: 4kV/6kV
- IP67



 CE CB SELV

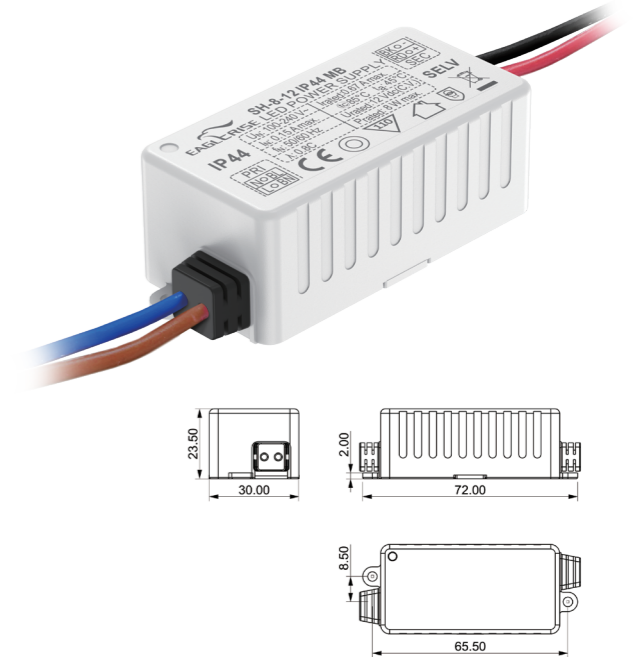
Application: Landscape lighting | Architectural lighting | Advertising lighting | Outdoor LED strip lighting

Model	Power	Input Voltage	Output Current	Output Voltage	Efficiency	Power Factor	Size (L*W*H)
VMS-150-36 IP67 L EXC	150W	220-240V	0-4.17A	36V	92%	0.95	176.4*55*36 mm
VMS-150-48 IP67 L EXC	150W	220-240V	0-3.13A	48V	93%	0.95	176.4*55*36 mm
VMS-200-12 IP67 L EXC	200W	220-240V	0-16.67A	12V	90%	0.95	186.4*57*36mm
VMS-200-24 IP67 L EXC	200W	220-240V	0-8.33A	24V	92%	0.95	186.4*57*36mm
VMS-200-36 IP67 L EXC	200W	220-240V	0-5.56A	36V	93%	0.95	186.4*57*36mm
VMS-200-48 IP67 L EXC	200W	220-240V	0-4.17A	48V	93%	0.95	186.4*57*36mm
VMS-250-24 IP67 L EXC	250W	220-240V	0-10.42A	24V	93%	0.95	213.4*63*36mm
VMS-250-36 IP67 L EXC	250W	220-240V	0-6.94A	36V	93%	0.95	213.4*63*36mm
VMS-250-48 IP67 L EXC	250W	220-240V	0-5.21A	48V	93%	0.95	213.4*63*36mm
VMS-320-24 IP67 L EXC	320W	220-240V	0-13.33A	24V	92%	0.95	227.4*68*39 mm
VMS-320-36 IP67 L EXC	320W	220-240V	0-8.89A	36V	93%	0.95	227.4*68*39 mm
VMS-320-48 IP67 L EXC	320W	220-240V	0-6.67A	48V	93%	0.95	227.4*68*39 mm

C.V

## SH Series

- For luminaire of protection class II
- Isolated / SELV / built-in
- Input Voltage 100-240VAC
- Protections: SCP / OLP / OVP
- Power Factor>0.8
- Efficiency≥80%
- 5 years warranty
- IP44



 CE CB SELV

Application: LED tape lights

Model	Power	Input Voltage	Output Current	Output Voltage	Efficiency	Power Factor	Size (L*W*H)
SH-8-12 IP44 MB	8W	100-240VAC	0-0.67A	12V	75%	0.8	72*30*23.5mm
SH-8-24 IP44 MB	8W	100-240VAC	0-0.34A	24V	75%	0.8	72*30*23.5mm
SH-16-12 IP44 MB	16W	100-240VAC	0-1.25A	12V	76%	0.8	90.5*40*26mm
SH-16-24 IP44 MB	16W	100-240VAC	0-0.625A	24V	76%	0.8	90.5*40*26mm
SH-35-12 IP44 MB	35W	100-240VAC	0-2.91A	12V	80%	0.8	98.5*57*29.5mm
SH-35-24 IP44 MB	35W	100-240VAC	0-1.458A	24V	80%	0.8	98.5*57*29.5mm